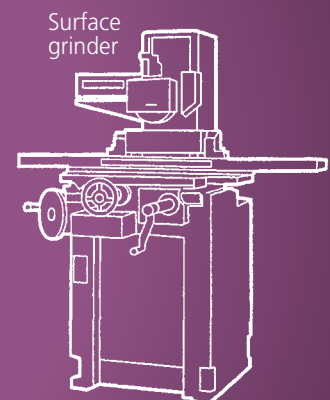
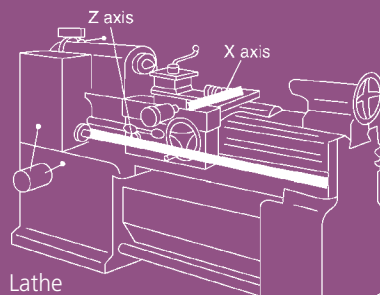
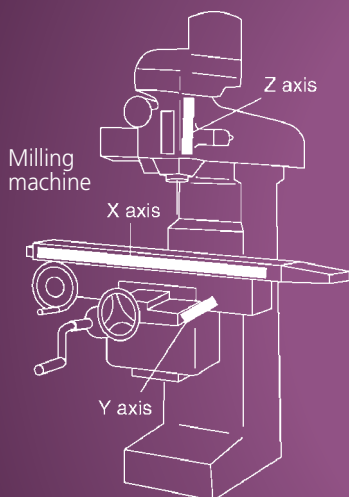


# Digital Readout Packages with KA-200 COUNTER

Manual machine retrofit packages with linear scales, mounting brackets, and multiple feature, intuitive display



## DIGITAL SCALE AND DRO SYSTEMS





## Digital Readout Packages with KA-200 COUNTER

### Features

- > Absolute and Incremental modes (10 presets each)
- > Calculation functions
- > Non-linear and linear error compensation
- > Adjustable high-brightness, high-refresh rate LED displays
- > Scale test feature
- > Outputs data into spreadsheets (optional USB card)
- > Selectable resolution down to .0001" or better
- > IP67 rating (AT715 scales only)



### Package Contents

- > KA-200 Counter (2 or 3 axis)
- > Mounting Brackets
- > Counter Tray
- > Linear Scales with cables

Package Part No.	Description	X Travel	Y Travel	Z Travel	X Axis Type	Y Axis Type	Z Axis Type
64PKA058A	12" X 30" DRO Mill Package	30"	12"		AT715	AT715	
64PKA059A	12" X 36" DRO Mill Package	36"	12"		AT715	AT715	
64PKA060A	14" X 30" DRO Mill Package	30"	14"		AT715	AT715	
64PKA061A	14" X 40" DRO Mill Package	40"	14"		AT715	AT715	
64PKA062A	16" X 36" DRO Mill Package	36"	16"		AT715	AT715	
64PKA063A	16" X 40" DRO Mill Package	40"	16"		AT715	AT715	
64PKA064A	18" X 40" DRO Mill Package	40"	18"		AT715	AT715	
64PKA065A	12" x 30" x 6" Mill Package	12"	30"	6"	AT715	AT715	AT715
64PKA066A	12" x 36" x 6" Mill Package	12"	36"	6"	AT715	AT715	AT715
64PKA067A	16" x 36" x 6" Mill Package	16"	36"	6"	AT715	AT715	AT715
64PKA035A	6" X 28" Lathe Package	6"		28"	AT116		AT715
64PKA036A	6" X 30" Lathe Package	6"		30"	AT116		AT715
64PKA037A	6" X 36" Lathe Package	6"		36"	AT116		AT715
64PKA038A	6" X 40" Lathe Package	6"		40"	AT116		AT715
64PKA039A	8" X 40" Lathe Package	8"		40"	AT116		AT715
64PKA040A	8" X 44" Lathe Package	8"		44"	AT116		AT715
64PKA041A	8" X 48" Lathe Package	8"		48"	AT116		AT715
64PKA042A	10" X 40" Lathe Package	10"		40"	AT116		AT715
64PKA043A	10" X 44" Lathe Package	10"		44"	AT116		AT715
64PKA044A	10" X 48" Lathe Package	10"		48"	AT116		AT715
64PKA045A	10" X 60" Lathe Package*	10"		60"	AT116		AT715
64PKA046A	12" X 40" Lathe Package	12"		40"	AT116		AT715
64PKA047A	12" X 44" Lathe Package	12"		44"	AT116		AT715
64PKA048A	12" X 48" Lathe Package	12"		48"	AT116		AT715
64PKA049A	12" X 52" Lathe Package	12"		52"	AT116		AT715
64PKA050A	12" X 60" Lathe Package*	12"		60"	AT116		AT715
64PKA051A	12" X 72" Lathe Package*	12"		72"	AT116		AT715
64PKA052A	14" X 40" Lathe Package	14"		40"	AT116		AT715
64PKA053A	14" X 44" Lathe Package	14"		44"	AT116		AT715
64PKA054A	14" X 48" Lathe Package	14"		48"	AT116		AT715
64PKA055A	14" X 52" Lathe Package	14"		52"	AT116		AT715
64PKA056A	14" X 60" Lathe Package*	14"		60"	AT116		AT715
64PKA057A	16" X 60" Lathe Package*	16"		60"	AT116		AT715
64PKA026A	6" X 12" Grinder Package	6"		12"	AT116		AT116
64PKA027A	6" X 14" Grinder Package	6"		14"	AT116		AT116
64PKA028A	8" X 12" Grinder Package	8"		12"	AT116		AT116
64PKA029A	8" X 14" Grinder Package	8"		14"	AT116		AT116
64PKA030A	8" X 16" Grinder Package	8"		16"	AT116		AT116
64PKA031A	10" X 18" Grinder Package	10"		18"	AT116		AT116
64PKA032A	10" X 24" Grinder Package	10"		24"	AT116		AT116
64PKA033A	12" X 18" Grinder Package	12"		18"	AT116		AT116
64PKA034A	12" X 20" Grinder Package	12"		20"	AT116		AT116

\* 2m extension cable included with 60" and 72" packages.



Mitutoyo America Corporation  
www.mitutoyo.com  
One Number to Serve You Better  
1-888-MITUTOYO (1-888-648-8869)

### M<sup>3</sup> Solution Centers:

Aurora, Illinois (Headquarters)  
Boston, Massachusetts  
Huntersville, North Carolina  
Mason, Ohio  
Plymouth, Michigan  
City of Industry, California  
Birmingham, Alabama  
Renton, Washington  
Houston, Texas



Find additional product literature and our product catalog

www.mitutoyo.com

**Note:** All information regarding our products, and in particular the illustrations, drawings, dimensional and performance data contained in this printed matter as well as other technical data are to be regarded as approximate average values. We therefore reserve the right to make changes to the corresponding designs. The stated standards, similar technical regulations, descriptions and illustrations of the products were valid at the time of printing. In addition, the latest applicable version of our General Trading Conditions will apply. Only quotations submitted by ourselves may be regarded as definitive. Specifications are subject to change without notice.

Mitutoyo products are subject to US Export Administration Regulations (EAR). Re-export or relocation of our products may require prior approval by an appropriate governing authority.

### Trademarks and Registrations

Designations used by companies to distinguish their products are often claimed as trademarks. In all instances where Mitutoyo America Corporation is aware of a claim, the product names appear in initial capital or all capital letters. The appropriate companies should be contacted for more complete trademark and registration information.

Coordinate Measuring Machines

Vision Measuring Systems

Form Measurement

Optical Measuring

Sensor Systems

Test Equipment and Seismometers

Digital Scale and DRO Systems

Small Tool Instruments and Data Management